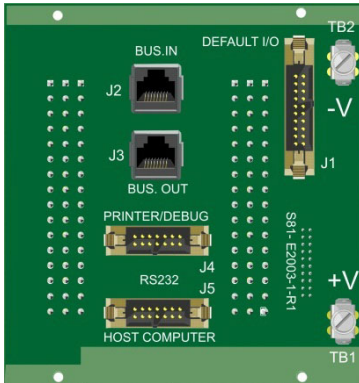


H-S81-HS

Back-Plane Cards for S81 Rack

These cards are used for electric supply and interconnection between S81 cards and the field.

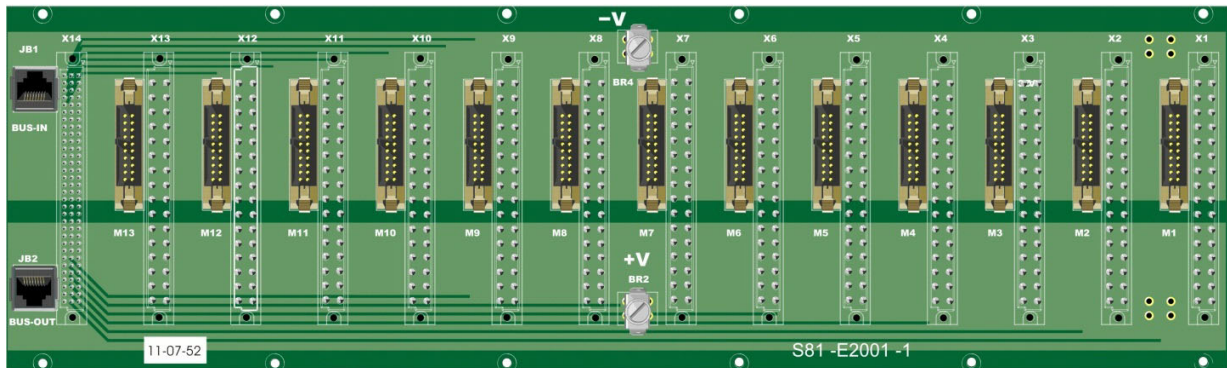


S81-E2003 Back-Plane for Panel Base Rack

- Interface between CPUs and the cards of the system
- Backplane of basic rack of S81 panel HS version
- Prop up connectors for electric supply
- Connector for display
- Connectors for printer and PC serial link
- Completely passive
- RJ45 type BUS connectors, which connect the CPUs and the racks.

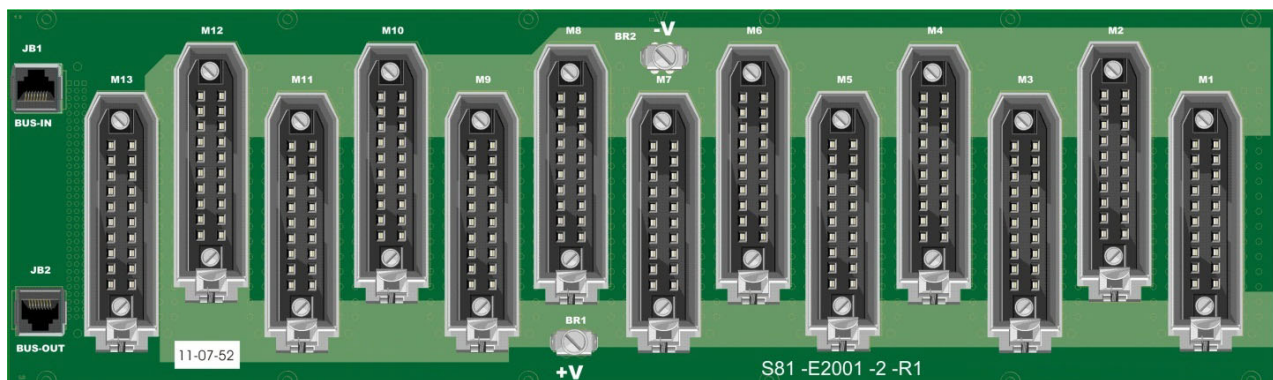
S81-E2001-1 Flat Cable Wiring Back-Plane for Card Racks

- Allows the connection between the controller card S81-E2002 and the cards of the rack
- Allows the connection between the cards and the field through flat cable and termination cards
- RJ45 BUS connectors



S81-E2001-2 Back-Plane for Plug Cable Connection

- Allows the connection between the controller card and the cards in the rack in safety-related applications and with heavy current loads
- The connection between the cards and the field is carried out via pre-wired cable plugs directly on marshaling terminal box
- RJ45 BUS connectors.



This document is not intended to be used for installation purposes. We try to keep our product information up-to-date and accurate. We cannot cover all specific applications or anticipate all requirements. All specifications are subject to change without notice.

Honeywell International Inc.

Industrial Fire Protection

12 Clintonville Road

Northford, CT 06472-1610

+1 203-484-7161

fax: +1 203-484-7118

www.honeywell.com

Honeywell Industrial Training Center

9401 Bay Area Boulevard #400

Pasadena, TX 77507

+1 713-577-1510

Honeywell

HI-80862
January 2015
© 2015 Honeywell International Inc.